

OUR ALL NEW Royal Plus II



Our History

Weather King Windows & Doors is a family owned business which was started in Detroit in 1950. We began building vinyl windows in 1982. In 1994 we expanded our operation by purchasing a 90,000 sq. ft. building in Farmington, MI and moved our office and manufacturing to this current location.

Our experienced and highly skilled workforce has been with us for an average of 15 years, with a number of them having over 40 years with our company. They carry with them a wealth of experience in the window industry and a dedication to provide you with a superior quality product.

We are proud to introduce our 3 window lines that have new advanced features which will enable you to choose the window to fit your needs. Our comprehensive network of locally operated dealers will guide you to create the home of your dreams.

Our All New Royal Plus II

The Weather King Royal Plus II windows carry forward the tradition that satisfied homeowners have enjoyed for over 30 years. The new design is similar to our Platinum & Premier lines using new welded frames and sash that are extruded with multiple chambers to create a thermal plane for enhanced energy efficiency.

The new designs incorporate SunShield® high-performance vinyl technology. SunShield® is uniquely formulated and laboratory-proven to perform better than alternative building materials. SunShield® ensures long-lasting color retention and low maintenance, plus the added confidence of a lifetime warranty against rotting, cracking, pitting, corroding and peeling. These and other features truly put this window several steps ahead for customers looking for a better choice in the mid-grade window market.

Convenience

Quality and affordability. The New Royal Plus II windows are manufactured using SunShield® vinyl for easy care and high performance. With 7/8" insulated glass for energy efficiency, our exclusive pocket sill for enhanced sound suppression and thermal performance. It features color matching hardware for a premium white window.



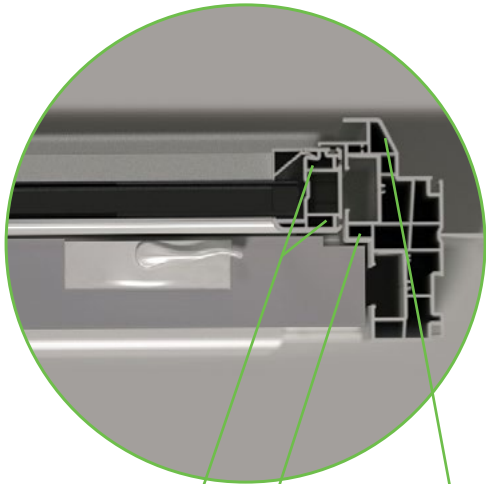
The Weather King Advantage
ADAPTABLE ♣ DEPENDABLE ♣ SUSTAINABLE



OUR ALL NEW Royal Plus II

The Royal Plus II window comes standard in Euro White in either replacement or new construction. The line offers double and single hungs, double and single slides, three lite sliders and picture windows. The 7/8" IG Comfort Advantage, CA31 Glass satisfies the strict building codes in the northern regions and makes sure your home stays warmer and you save energy with your new windows.

The color matched hardware creates clean looks without any exposed screws. The hung windows use Aluma-tilt balances that are adjustable for easy operation in any size window. Sliders feature nylon rollers for smooth operation. The windows are custom made to order for that perfect fit.



Weatherstripping

Balance pocket surrounded by hollows

Continuous thermal plane



Offered with and without integral nail fin

Integral accessory groove to receive installation and trim accessories

Rounded edges for ease of cleaning

Internal cavities for optimal thermal performance

Bulb weatherstripping for tight compression at both head and sill

7/8" IG CA49 clear or CA31 Low E glass using high performance Warm Edge spacer

INNERGY® thermal structural reinforcements

Continuous interlock at the meeting rails with full width weatherstripping

Color matching low profile lock with concealed screws and recessed tilt latches

Internal grids available

Pocket sill for enhanced sound suppression, thermal performance and uniform sightlines



CONTACT US FOR YOUR NEW WINDOW & DOOR PROJECT

20775 Chesley Dr,
Farmington, MI 48336
www.weatherkingdoors.com

P: 248-478-7788
F: 248-478-1475
E: orders@weatherkingdoors.com