



OUR ALL NEW

Royal Premier

Our History

Weather King Windows & Doors is a family owned business which was started in Detroit in 1950. We began building vinyl windows in 1982. In 1994 we expanded our operation by purchasing a 90,000 sq. ft. building in Farmington, MI and moved our office and manufacturing to this current location.

Our experienced and highly skilled workforce has been with us for an average of 15 years, with a number of them having over 40 years with our company. They carry with them a wealth of experience in the window industry and a dedication to provide you with a superior quality product.

We are proud to introduce our 3 window lines that have new advanced features which will enable you to choose the window to fit your needs. Our comprehensive network of locally operated dealers will guide you to create the home of your dreams.

Our All New Royal Premier

The Weather King Royal Premier windows carry forward the tradition that satisfied homeowners have enjoyed for over 30 years. The Premier is similar to the dual glazed Platinum but with triple glazing standard. The new Premiere has 1 1/4" I.G. triple glazing for the highest performance ever from Weather King.

The new designs incorporate SunShield® high-performance vinyl technology. SunShield® is uniquely formulated and laboratory-proven to perform better than alternative building materials. SunShield® ensures long-lasting color retention and low maintenance, plus the added confidence of a lifetime warranty against rotting, cracking, pitting, corroding and peeling. These, and other features, make the Premier the window choice for the homeowner that is looking for the best.

Window Performance

The Royal Premier comes standard with 1 1/4" triple glazed glass with Argon fill, or may be upgraded to Double Low E glass and double Argon.

Combined with our SunShield® high performance vinyl and our exclusive pocket sill. This window carries an impressive R Value creating a quieter home.

It features integrated lock and tilt latches for ease of operation and cleaner sight lines. It is available in all color options and laminates.



The Weather King Advantage

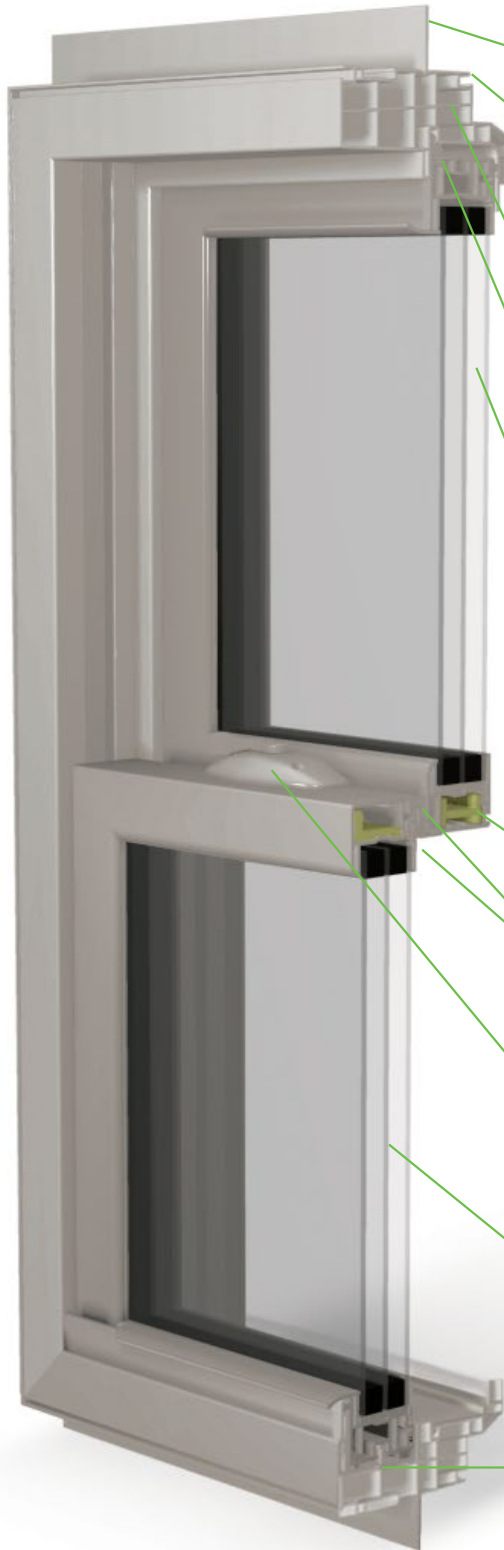
ADAPTABLE ♣ DEPENDABLE ♣ SUSTAINABLE



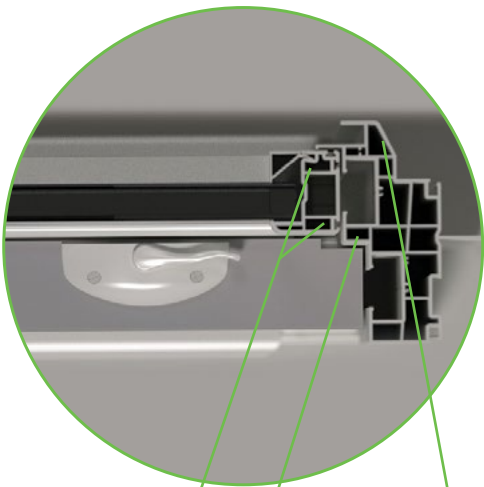
OUR ALL NEW Royal Premier

The Royal Premier window is available standard in Euro White, Almond, or any of our laminate colors in either replacement or new construction. The line offers double and single hungs, double and single slides, three lite sliders and picture windows. You can also choose from casement, awning and bay & bow windows. The windows come with triple glazed Comfort Advantage glass for the ultimate in energy efficiency and sound suppression. There are two glass options; CA19T Low-E and Argon gas, or CA13T with two lites of Low-E, and double Argon gas. This window provides the ultimate Weather King advantage.

Integrated lock and tilt assembly for flawless lines and ease of cleaning. The hung windows use Aluma-tilt balances that are adjustable for easy operation in any size window. Sliders feature brass rollers for smooth operation. The windows are custom made to order for that perfect fit.



- Offered with and without integral nail fin
- Integral accessory groove to receive installation and trim accessories
- Rounded edges for ease of cleaning
- Internal cavities for optimal thermal performance
- Bulb weatherstripping for tight compression at both head and sill
- High performance 1 1/4" triple glazed IG with CA19T with Low E Argon or CA13T with Double Low-E, Double Argon
- INNERGY® thermal structural reinforcements
- Continuous interlock at the meeting rails with full width weatherstripping
- Integrated lock and tilt assembly for flawless lines and ease of cleaning
- Internal grids available
- Pocket sill for enhanced sound suppression, thermal performance and uniform sightlines



- Triple Weatherstripping
- Balance pocket surrounded by hollows
- Continuous thermal plane



CONTACT US FOR YOUR NEW WINDOW & DOOR PROJECT

20775 Chesley Dr,
Farmington, MI 48336
www.weatherkingdoors.com

P: 248-478-7788
F: 248-478-1475
E: orders@weatherkingdoors.com